



Installations Instructions

www.vikingbags.com | 888-208-1949 | support@vikingbags.com

Parts List

Parts List (by Vikings)

- 1- Sissy Bar Bag
- 2- Shoulder Straps
- 3- Rain Cover
- 4- Mounting Straps
- 5- Installation Instructions

Step 1

- 1- Refer to diagram (Fig.B). Use the included black rod to adjust the width of the saddlebag mounting straps to fit snugly around your bike's sissybar pad. The rods can be inserted to make the straps narrow or wide. You can also insert the rods at an angle if your sissybar pad is not rectangular.
- 2- Ensure that the rods are fully inserted, through the top loop securely into the bottom loop. Once in place, tighten the Velcro flap which covers the top loop.



Fig.A

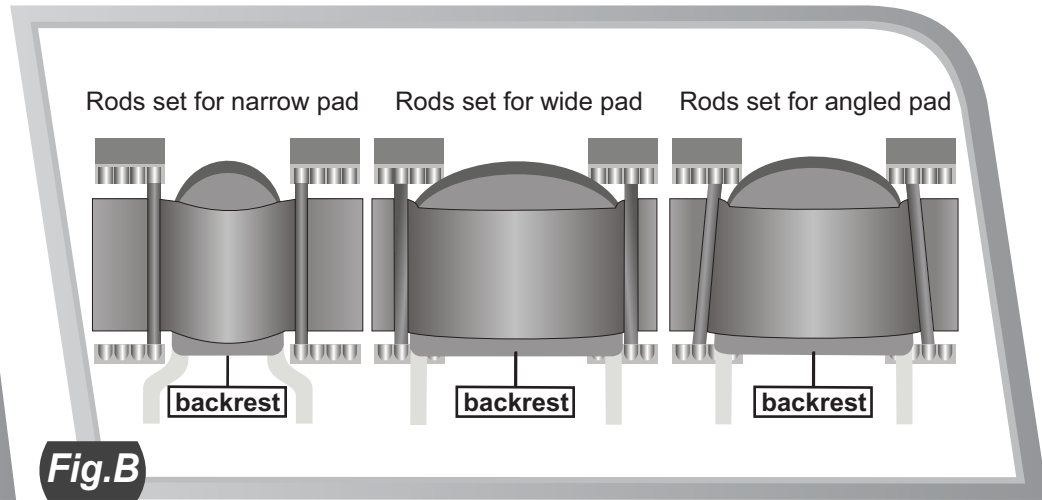


Fig.B

Step 2

Place the bag on the luggage rack with the flap securely wrapped around the brackets.

Step 3

Each bag also has two quick-release nylon straps, located on either side of the bag. These straps must be wrapped around the uprights (Saddlebag support, turn signal uprights, frame rail etc.) and then attached to the corresponding buckles on each side. Ensure that the straps are tightened such that the bag is securely held in one place.

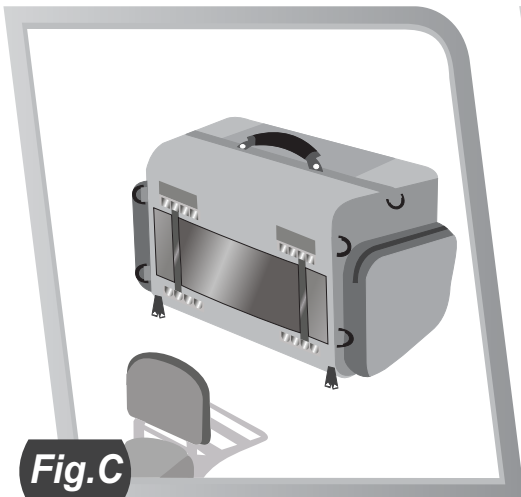


Fig.C

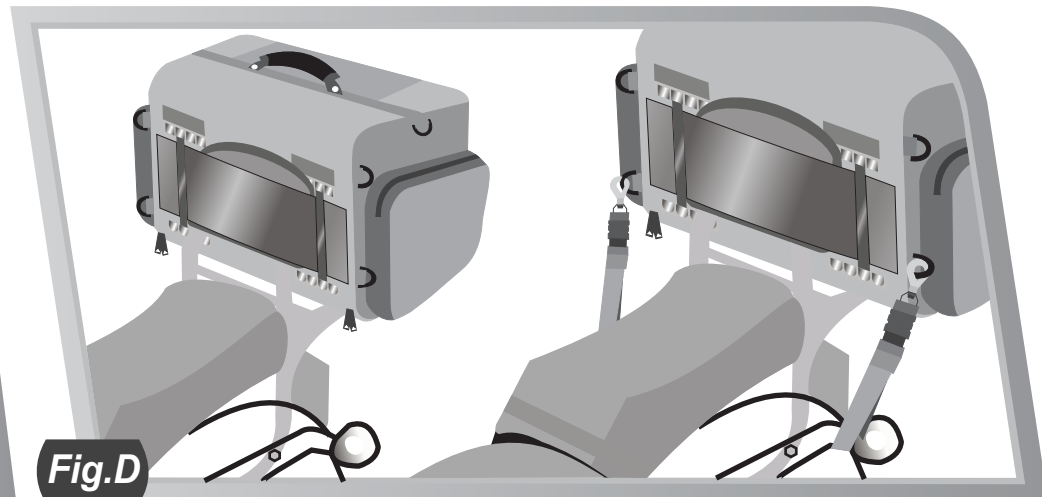


Fig.D



Installations Instructions

www.vikingbags.com | 888-208-1949 | support@vikingbags.com

Step 4

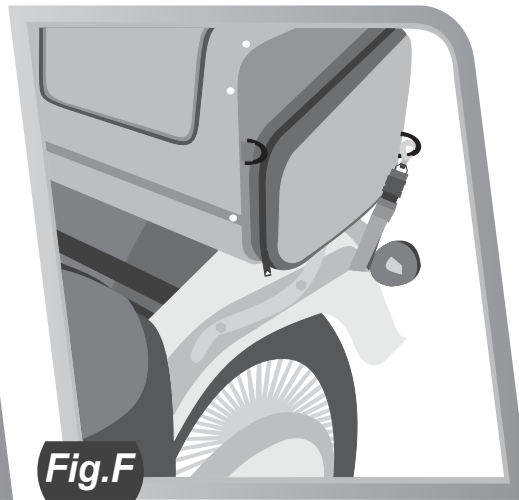
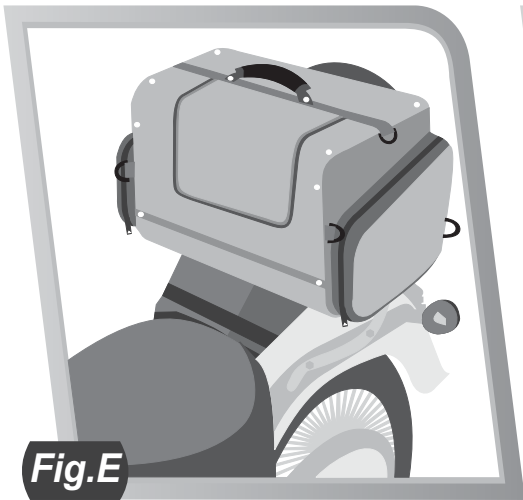
This bag can also be mounted on the passenger seat in case you don't have the luggage rack.

Step 5

Use mounting straps to secure the bags to the bike (See Fig.F.)

Step 6

Shoulder straps is included in order for the rider to carry the bag easily.



Warnings

READ ALL INSTRUCTION THOROUGHLY BEFORE STARTING!

You are responsible for the correct installation and safe use of this bag. Seek qualified instruction if you are uncertain about its capabilities and limitations or if you need help with installation. Use of the bag in a manner other than its intended purpose or contradictory to the warning and instruction provide could cause loss of control of your motorcycle, possibly resulting in personal injury or death.

- Do not use this bag if any part of the motorcycle system has deteriorated, loosened or is beginning to fail. If you have any doubts as to the security of bag's installation, stop using it.
- After every stop check the bag to be certain that it did not shift while riding and verify that the straps will not contact or interfere with any part of the drivetrain, suspension, brakes or wheels.
- Do not exceed 15 pounds total weight of bag, contents and attachments or the load limits of the motorcycle as specified in the owner's manual supplied with the bike or from the bike manufacturer.
- When the bag is removed, all loose straps must be removed from the motorcycle, or secured, so that they do not contact or interfere with any part of the drivetrain, suspension, brakes or wheel before operating the motorcycle.
- Always remove or stow all shoulder and backpack straps before attaching bag to motorcycle.