



INSTALLATION INSTRUCTIONS

www.vikingbags.com



888-208-1949 |



support@vikingbags.com

VIKINGBAGS ODIN LARGE LEATHER SADDLEBAGS INSTRUCTION

Step 1

1. Assemble the saddlebags support (See Figure C).
2. Make Sure it is securely mounted on the bike (See Figure C).

Step 2

Lift the back seat and install the bags on your bike. Your saddlebags must be at least 1 inch clear of any exhaust pipe, while stationary or moving.

Step 3

For height adjustment of the bags, separate the two yoke halves and reposition them. Adjust the yoke shorter for higher saddlebags, and vice versa. (See Figure B).

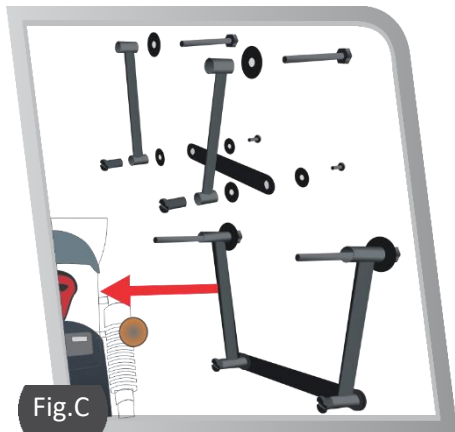


Fig.C

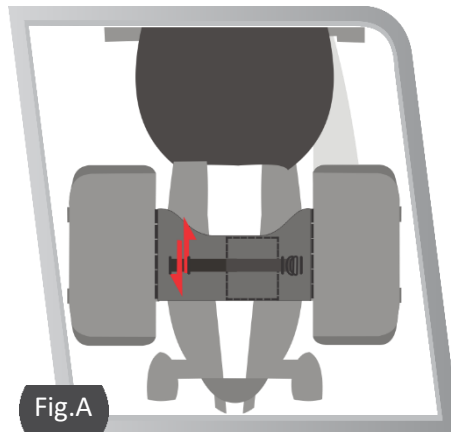


Fig.A

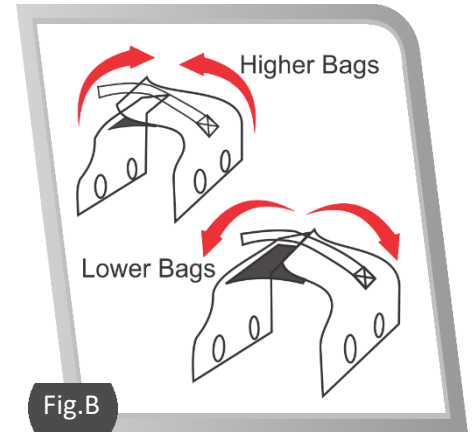


Fig.B

Step 4

When you have the yoke in the correct position, tighten the nylon safety strap using the adjustable D-rings (See Figure C) on the top of the yoke.

Step 5

Saddlebags are adjustable towards the front/rear of the bike for clearing turn signals and shock absorbers (See Figure D). Use appropriate pair of holes to adjust the mounting position of the saddlebags.

Step 6

Use the straps located at the bottom of each bag (Fig E) to connect the bag to the saddlebag support. Wrap them around the support, buckle the ends together, then adjust the length so that the straps are tight and are held securely in a fixed position.

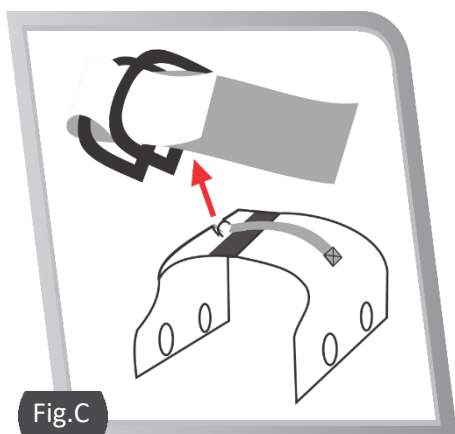


Fig.C

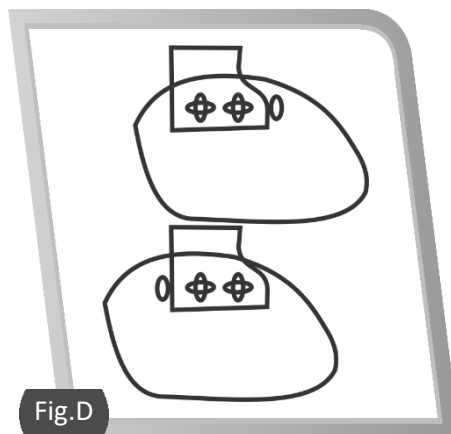


Fig.D

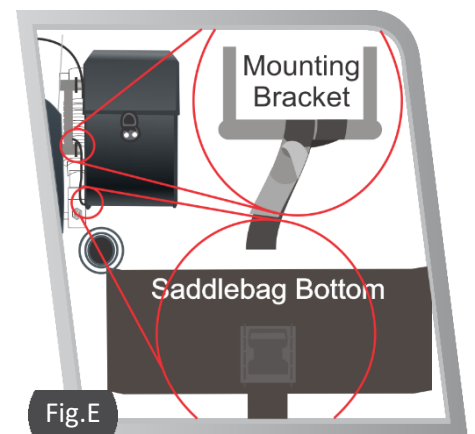


Fig.E



INSTALLATION INSTRUCTIONS

www.vikingbags.com



888-208-1949 |



support@vikingbags.com

Step 7

The throw over installation is now complete.

Step 8

The bag can be easily removed from the bike by turning the quick release knobs 360 degrees. These knobs can be accessed from inside the bags.

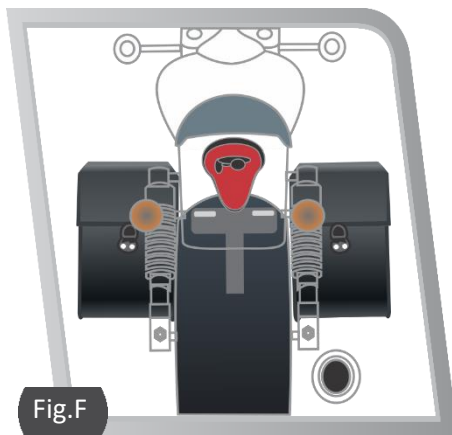


Fig.F

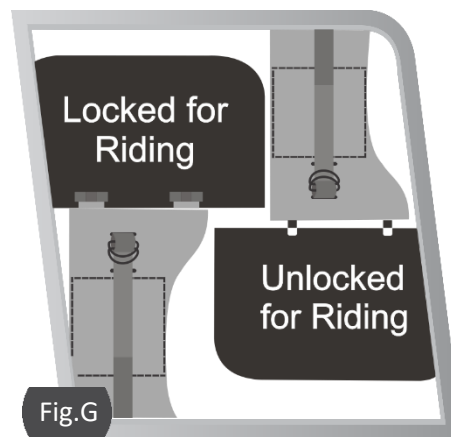


Fig.G

Warnings

Avoid usage of the any mounting part that is impaired or is not working properly. If you are not sure about the installation process, please seek professional advice.

It is important to note that if you do not mount these saddlebags properly damage may be caused to the saddlebags and/or motorcycle. If bag are securely installed, no part of the mounting system or bags should touch the motorcycle while in operation.

Sporadically check for shifting of the bag and verify that no part of the mounting system is interfering with any part of the motorcycle while riding. This includes the drive train, suspension, brakes or wheels.

Do not attempt to use these saddlebags if the mounting instructions are unclear. It is important that you seek professional assistance from a qualified mechanic or dealer.

It is highly dangerous to operate a motorcycle if the saddlebags are not installed correctly. We suggest you find a motorcycle mechanic for further assistance in the event you have doubts about your abilities to install the product securely.

Make sure that mounting bolts do not hit the tire inside the fender. In case the bolts are too long, use the provided spacers to adjust for the excessive length.