



INSTALLATION INSTRUCTIONS

www.vikingbags.com



888-208-1949 |



support@vikingbags.com

VIKING WARRIOR MOTORCYCLE TRUNK 2050 CUBIC INCHES INSTRUCTION

Parts List

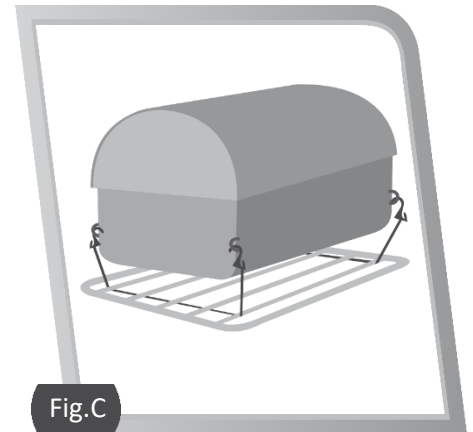
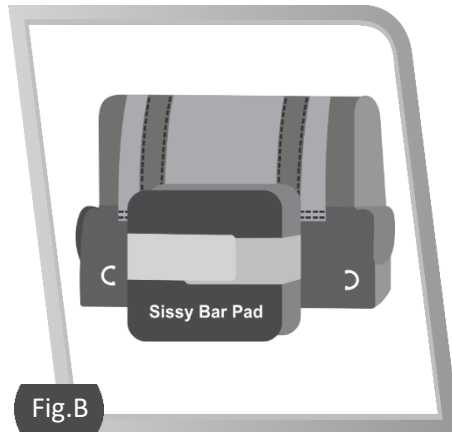
1. Tool Bag
2. Shoulder Straps
3. Rain Cover
4. Installation Instructions
5. Adjustable Bungee x 2

Step 1

The back side of this bag is equipped with a large hook-n-loop straps that fits around your sissy bar pad. Place the trunk on your passenger seat or luggage rack and securely wrap the hook-n-loop straps around the sissy bar.

Step 2

Use the bungee cords to further secure the bag to bike using the sewn webbing or D-rings on the side. Bungee cords may be passed through rack rails as shown in figure C.



Tip

Ensure the bungee cords are tight enough to hold the bag securely in one place.

Warning

READ ALL INSTRUCTION THOROUGHLY BEFORE STARTING!

You are responsible for correct installation and safe use of this bags. Seek qualified instruction If you are uncertain about its capabilities and limitations or is you need help with installation. Use of the bag in a manner other than its intended purpose or contradictory to the warning and instruction provide could cause loss of control of your motorcycle, possibly resulting in personal injury or death.

- Do not use this bag if any part of the motorcycle system has deteriorated, loosened or is beginning to fail. If you have doubts as to the security of bag's installation, stop using it.
- After every stop check the to be certain that it did not shift while riding and verify that the straps will not contact or interfere with any part of the drivetrain, suspensions, breaks or wheels.
- Do not exceed 15 pounds' total weight of bag, contents and attachments or the load limits of the motorcycle as specified in the owner's manual supplies with the bike or from the bike manufacture.
- When the bag id removed. All loose straps must be removed from the motorcycle, or secured, so that they do not contact or interfere with any part of the drivetrain, suspension, brakes or wheel before operating the motorcycle.
- Always remove or stow all shoulder and backpack straps before attaching bag to motorcycle.