



INSTALLATION INSTRUCTIONS

www.vikingbags.com

888-208-1949 | support@vikingbags.com

VIKING TANK BAG FOR HARLEY STREET 750 INSTRUCTION

Parts

Tank Bag
Rear Strap
D-Ring Straps x 2
Screw and Nut x 2
Washers x 3
Rain Cover

Instructions

Step 1

Remove the seat.

Step 2

Remove rear mounting screw from the tank as shown in Figure (a).

Step 3

Place the magnetic flap on the rear end of the fuel tank top and install the rear strap using the previously removed mounting screw

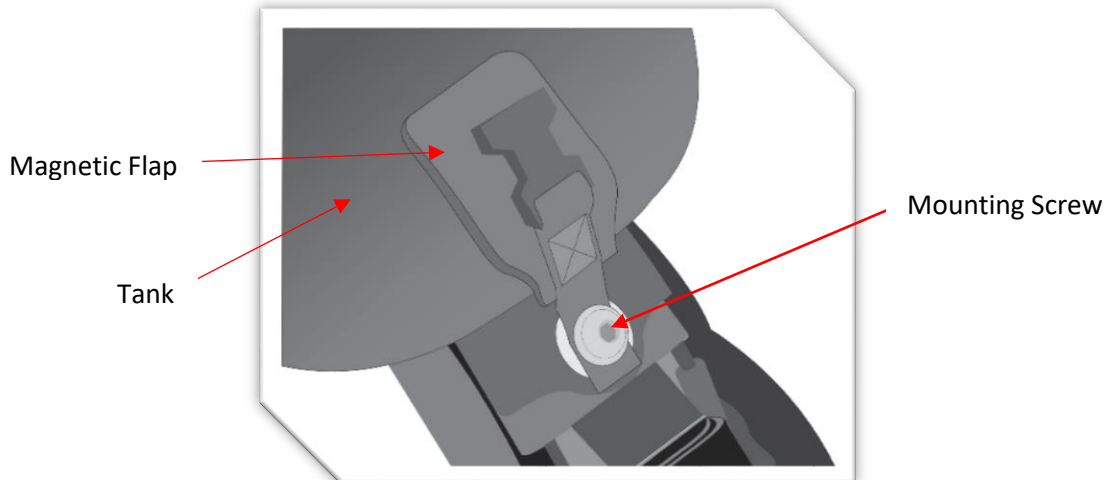


Fig (A)

Steps for Models without Engine Guard

Step 4

Remove radiator shroud



INSTALLATION INSTRUCTIONS

www.vikingbags.com

☎ 888-208-1949 | ✉ support@vikingbags.com

Step 5

Install D-ring strap using the supplied screw and nut and tighten the screw

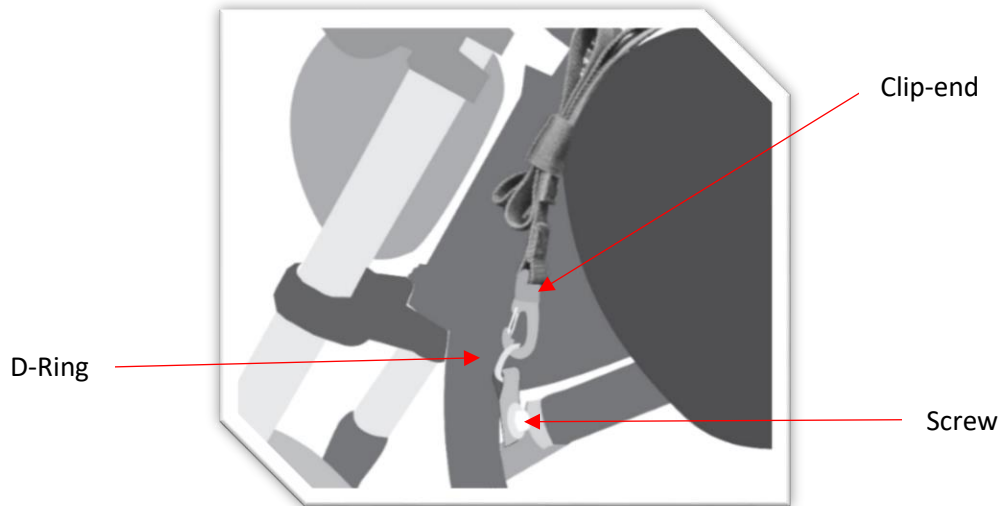


Fig (A)

Step 6

Reinstall the radiator shroud

Step 7

Place the Bag on the tank and connect the clip end to the D-ring. Repeat for the other side.

Steps for Models with Engine Guard

Step 4

Place the bag on the tank and run the strap around the engine guard and connect it to the D-Ring using the clip-end.

Step 5

Repeat for the other side.

⚠ Warnings

- ✓ Avoid usage of any mounting part that is impaired or is not working properly.
- ✓ Sporadically check for shifting of the bag and verify that no part of the mounting system is interfering with any part of the motorcycle while riding. This includes the drive train, suspension, brakes or wheels.
- ✓ If bags are securely installed, no part of the mounting system or bags should touch the motorcycle while in operation.
- ✓ In case you have doubts about your ability to install the product, please seek guidance from a qualified mechanic.