



INSTALLATION INSTRUCTIONS

www.vikingbags.com

888-208-1949 | support@vikingbags.com

VIKING TAIL BAG FOR STREET BIKES

Parts Included

Viking Tail Bag
Mounting Straps
Rain Cover

Instructions

Step 1

Place the bag on the seat such that bag is firmly placed and is not in contact with any moving part of the bike.

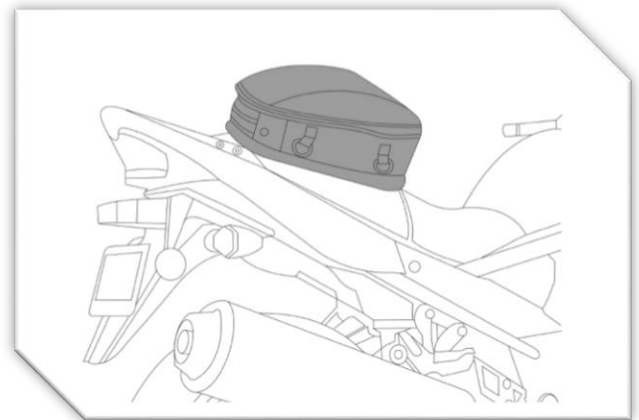


Fig (1)

Step 2

Once in position, loop a strap around a rear mounting point (tail of the bike) by passing the hooked end through the loop on the opposite end of the bike. Once Looped, attached the hook to the rear D-Ring on the bag.

Step 3

In a similar manner, loop another strap around the foot peg area or frame of the bike and attach the hook to the front D-Ring on the bag.

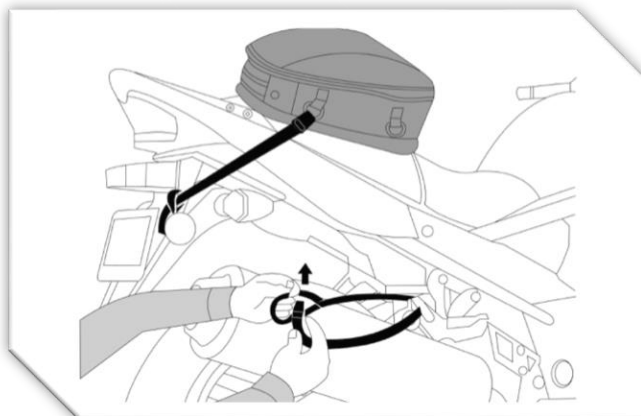


Fig (2)

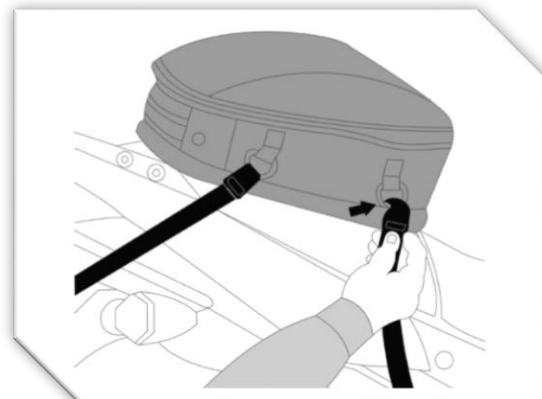


Fig (3)



INSTALLATION INSTRUCTIONS

www.vikingbags.com

☎ 888-208-1949 | ✉ support@vikingbags.com

Step 4

Repeat Step 2 and 3 for the other side of the bag until all four straps are securely looped around solid parts of the bike and the hooks are connected to corresponding D-Rings on the bag.

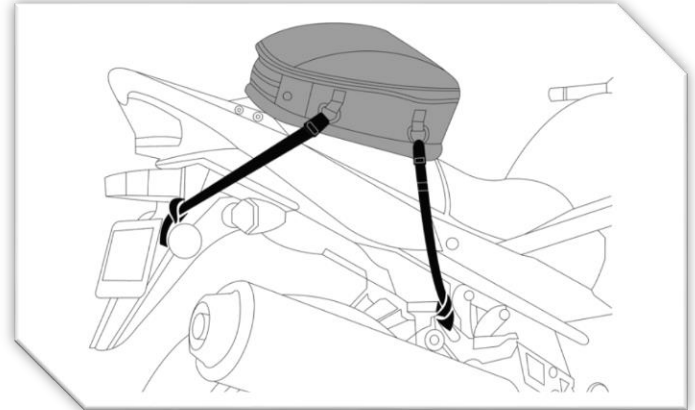


Fig (4)

Step 5

Pull the straps to tighten until the bag is securely strapped to the bike.

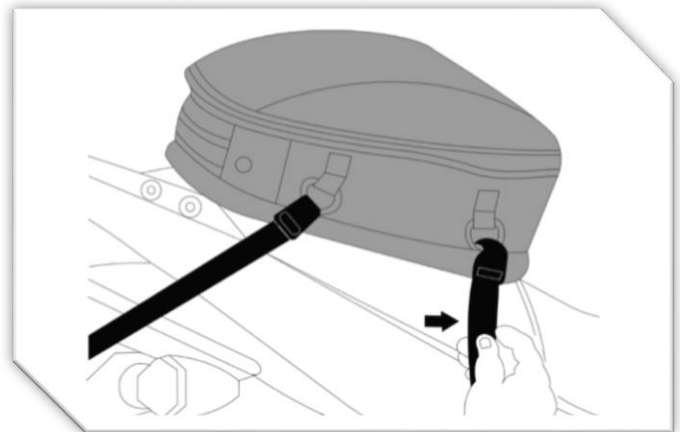


Fig (5)

📄 Note

Ensure that straps do not hang loose or come in contact with any mechanical part of the bike. We recommend that you cut away extra strap and seal it with a lighter.

⚠ Warnings

- ✓ Avoid usage of any mounting part that is impaired or is not working properly.
- ✓ Sporadically check for shifting of the bag and verify that no part of the mounting system is interfering with any part of the motorcycle while riding. This includes the drivetrain, suspension, brakes and wheels.
- ✓ Do not install if you are unsure about the instructions. Viking Bags is not responsible for any damage caused due to improper installation of the bag.