



INSTALLATION INSTRUCTIONS

www.vikingbags.com



888-208-1949 |



support@vikingbags.com

KAWASAKI VIKING LARGE MOTORCYCLE BACKREST SISSYBAR BAG INSTRUCTION

Parts List

1. Motorcycle Bag
2. Backpack Strap
3. Rain Cover
4. Mounting Strap
5. Installation Instructions

Step 1

Remove the seat from your motorcycle. Set the left side of the mounting harness with the right side of the harness on the top of the rear fender.

Step 2

When you have the yoke in the correct position, tighten the nylon safety straps using the adjustable D-rings (See Figure E) on the top of the yoke.



Fig.A

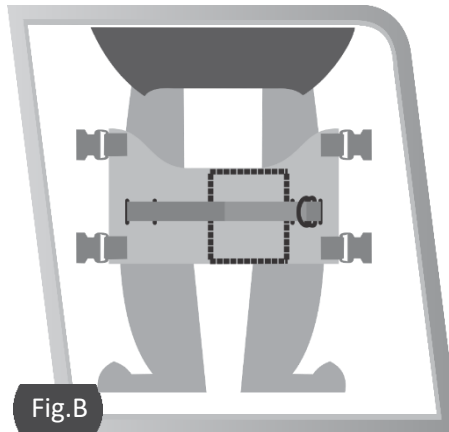


Fig.B

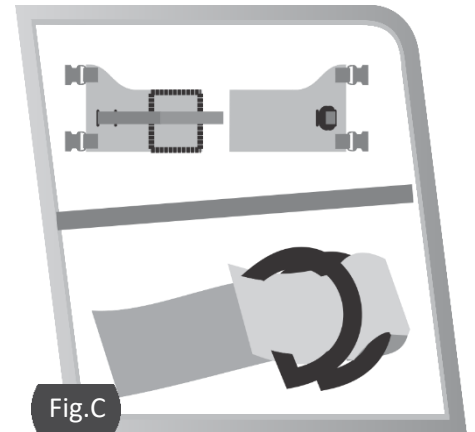


Fig.C

Step 3

Connect the male part of quick release straps to the female part on the yoke. End of each of the 4 straps are equipped with quick release hooks that will connect to D-rings on the bag.

Step 4

Set the bag onto the seat and connect the metal hooks at the end of each strap to the D-rings each corner back of the bag. Pull the straps to tighten the bag to the seat. Secure any loose or extra strap material.

Note

Backpack straps is included in order for the rider to carry the sissy bar bag easily.

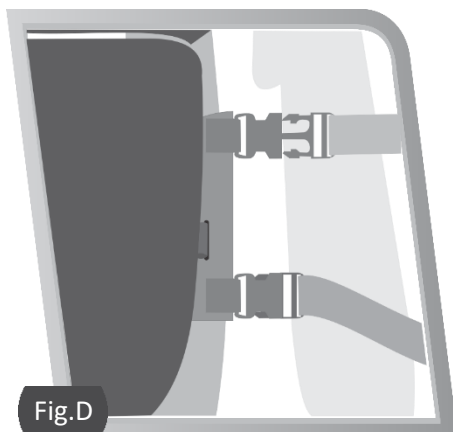


Fig.D

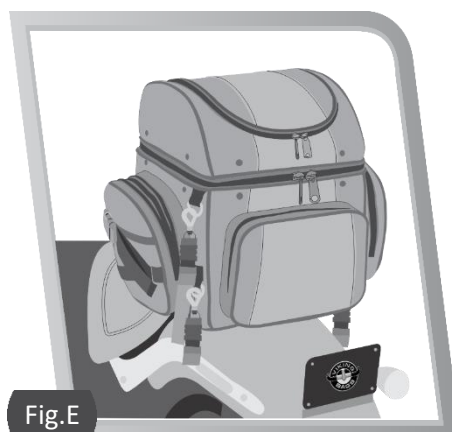


Fig.E



Fig.F



INSTALLATION INSTRUCTIONS

www.vikingbags.com



888-208-1949 |



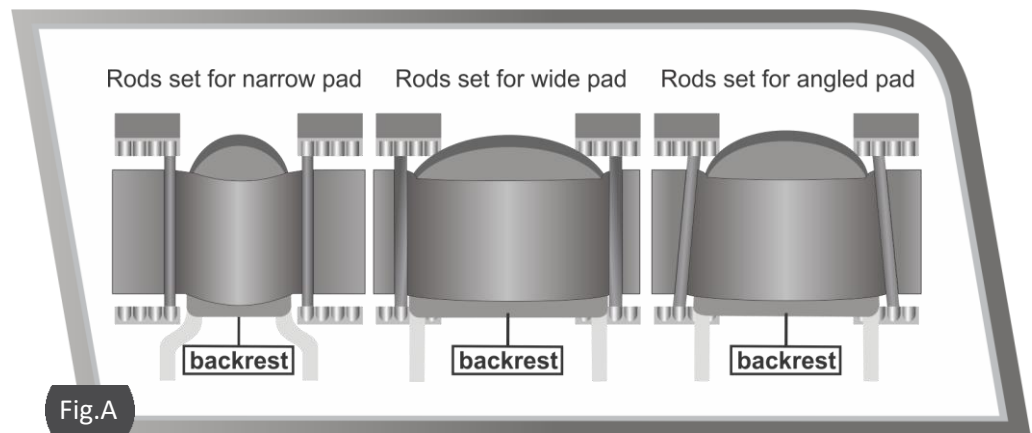
support@vikingbags.com

How To Install The Bag With Sissy Bars On Luggage Rack And Backseat

Step 1

1-Refer to diagram (Fig B.) use the included silver rod to adjust the width of the saddle stow mounting straps to fit snugly around your bike sissy bar pad. The rod can be inserted to make the narrow or wide. You can also insert the rods at an angle if your sissy bar pad not rectangular.

2-Make sure the rods are fully inserted, through the top securing loop and solidly into the bottom securing loop. Once in place, tightly close the Velcro flap that is above each set of top securing loop.



Step 2

Place the bag the luggage rack while inserting making sure the backrest in the mounting pocket.

Step 3

Each bag also has two quick-release nylon straps, located on either side of the bag. These straps must be wrapped around the uprights (saddlebags support, turn signal upright, frame rail etc.) and the attached to the corresponding buckles on each side. Ensure that the straps are tightened such that the bags are securely held in one place.

