



INSTALLATION INSTRUCTIONS

www.vikingbags.com



888-208-1949 |



support@vikingbags.com

VIKING ECONOMY LINE MOTORCYCLE LUGGAGE INSTRUCTION

Parts List

1. Motorcycle Bag
2. Backpack Strap
3. Rain Cover
4. Mounting Straps
5. Shoulder Straps
6. Installation Instructions

Step 1

Remove the seat from your motorcycle. Attach the left side of the mounting harness with the right side of the motorcycle using the Velcro and place it on top of rear fender.

Step 2

When you have the yoke in the correct position, tighten the nylon safety straps using the adjustable D-rings (See Figure E) on the top of the yoke.



Fig.A

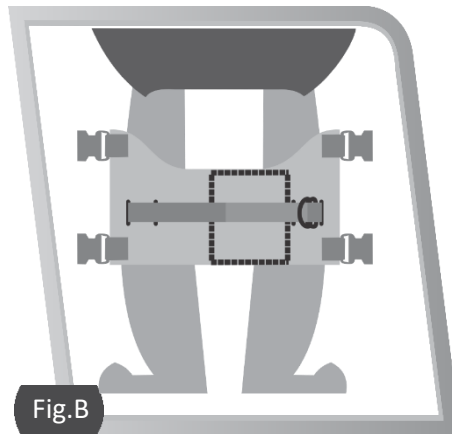


Fig.B

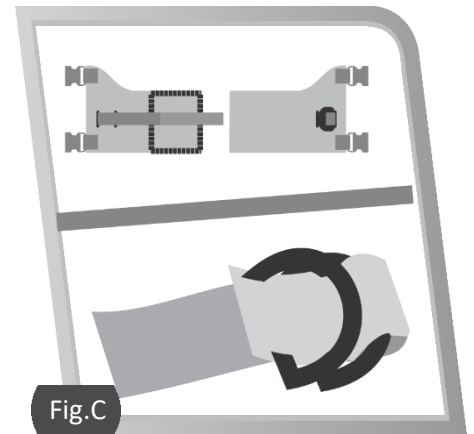


Fig.C

Step 3

Put back the seat and place the sissy bar bag on top of the seat. Now, attach the 4 connecting straps to the D-rings on the side of the bag using the metallic hooks.

Step 4

Connect the male part of quick release buckle on the opposite ends of the connecting straps to the female part of the yoke. Pull the straps and secure any extra straps.

Note

Backpack straps have been included to allow easy carrying of the sissy bar bag.

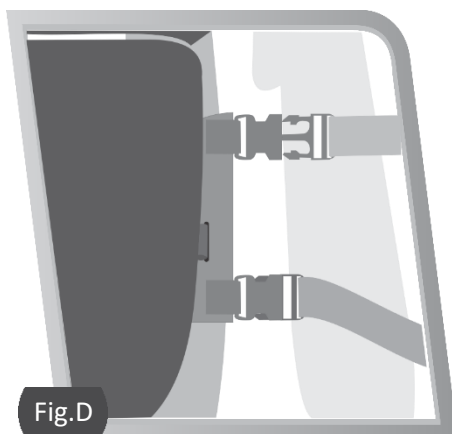


Fig.D

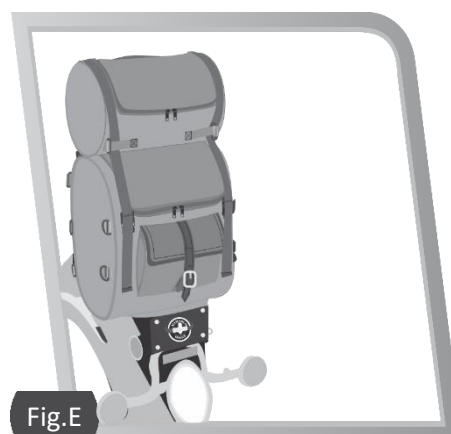


Fig.E



Fig.F



INSTALLATION INSTRUCTIONS

www.vikingbags.com



888-208-1949 |



support@vikingbags.com

Warning

READ ALL INSTRUCTION THOROUGHLY BEFORE STARTING!

You are responsible for correct installation and safe use of this bags. Seek qualified instruction If you are uncertain about its capabilities and limitations or is you need help with installation. Use of the bag in a manner other than its intended purpose or contradictory to the warning and instruction provide could cause loss of control of your motorcycle, possibly resulting in personal injury or death.

- Do not use this bag if any part of the motorcycle system has deteriorated, loosened or is beginning to fail. If you have doubts as to the security of bag's installation, stop using it.
- After every stop check the to be certain that it did not shift while riding and verify that the straps will not contact or interfere with any part of the drivetrain, suspensions, breaks or wheels.
- Do not exceed 15 pounds' total weight of bag, contents and attachments or the load limits of the motorcycle as specified in the owner's manual supplies with the bike or from the bike manufacture.
- When the bag id removed. All loose straps must be removed from the motorcycle, or secured, so that they do not contact or interfere with any part of the drivetrain, suspension, brakes or wheel before operating the motorcycle.
- Always remove or stow all shoulder and backpack straps before attaching bag to motorcycle.