



Installations Instructions

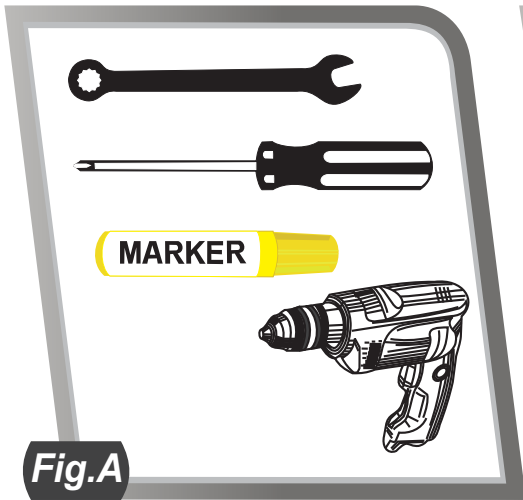
www.vikingbags.com | 888-208-1949 | support@vikingbags.com

Tools

- 1- Screw Driver
- 2- Combination Wrench 13mm
- 3- Power Drill with 8mm bit
- 4- White Or Yellow Marker

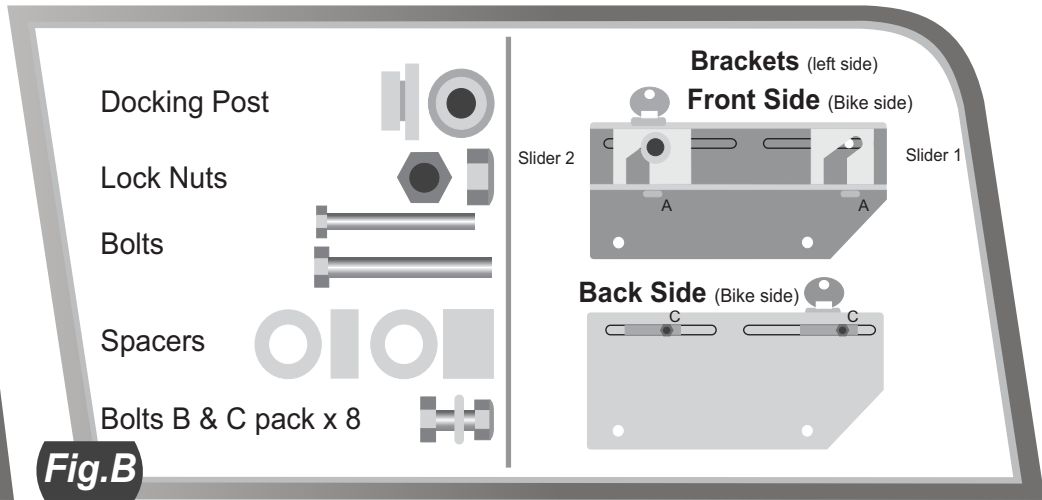
Parts List

Bag Support Bracket Long Bracket Size 02 (Bigger Bag) L x W x H 12 7/8" x 5 1/2" x 1 1/2" Or Short Bracket 02 (Smaller Bag) 9 3/8" x 5" x 1 1/2"	Spacers Thickness (t) Dia (d) Hole Dia (h) t x h x d 10mm x 1/2" x 3/4" 04 08mm x 1/4" x 3/4" 04	Docking Post 10mm 04 08mm 04 Lock Nuts 10mm 04 08mm 04	Bolts 08mm x 50mm 04 08mm x 90mm 04 10mm x 60mm 02 10mm x 70mm 04 10mm x 90mm 02
---	---	---	--



Step 1

Turn off the engine and wait till it cools off. Read the instructions completely before starting the installation process.



Step 2

Remove the fender bolts one by one.

Step 3

Mount a docking post in each of the two fender holes.

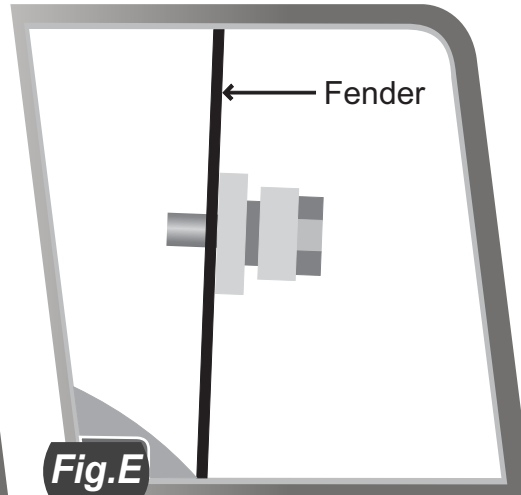
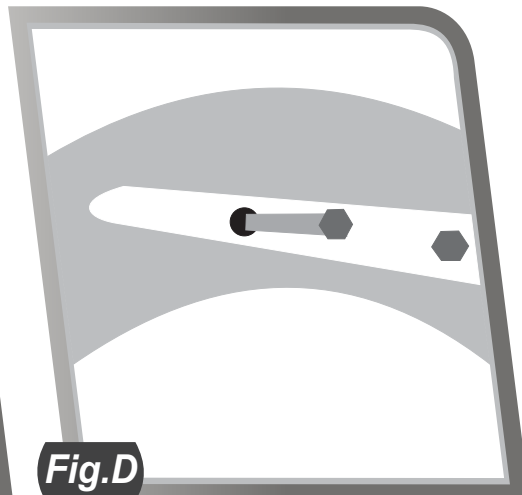
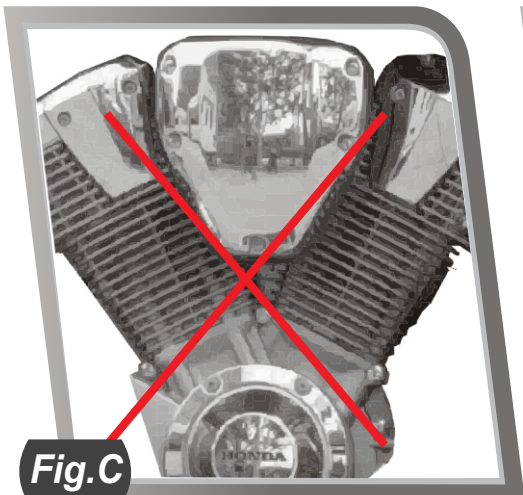


Fig.C

Fig.D

Fig.E



Installations Instructions

www.vikingbags.com | 888-208-1949 | support@vikingbags.com

Step 4

Loosen the bolts A (in figure B) so the sliders are free. Also put the key lock in the unlock position. Now, adjust the slider such that you can easily insert the docking post into the slots in the sliders.

Step 5

Once in place, tighten the bolts A (in figure B) and mount and unmount the bracket a couple of times to ensure that the fitment is smooth. If necessary, loosen the bolts A and readjust.

Step 6

With brackets mounted on the bikes, hold the bag against the bracket and find out an appropriate position to mount the bags. make sure that the bag clears all the moving parts of the bikes and is an appropriate distance from the exhaust pipe. Once in position, mark the outline of the brackets onto the back of the bag a chalk or a marker.

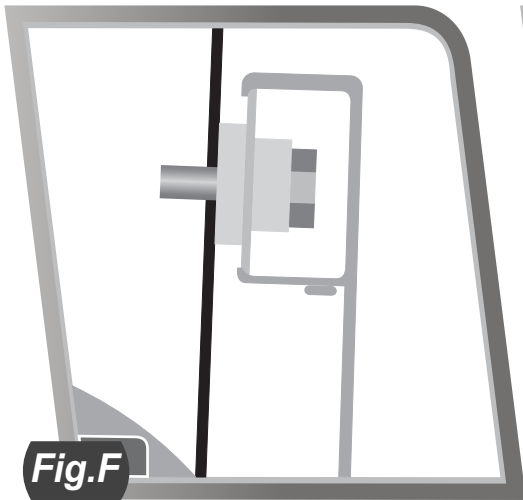


Fig.F

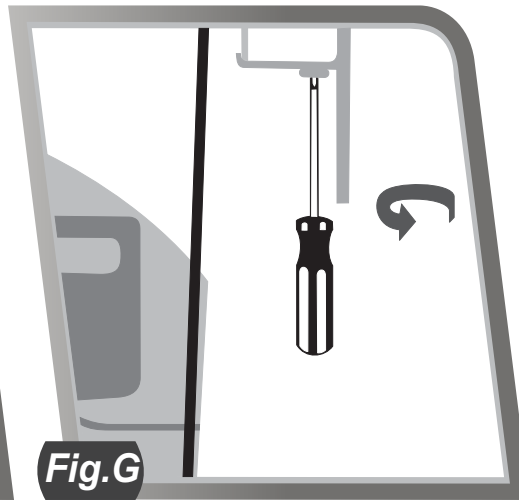


Fig.G

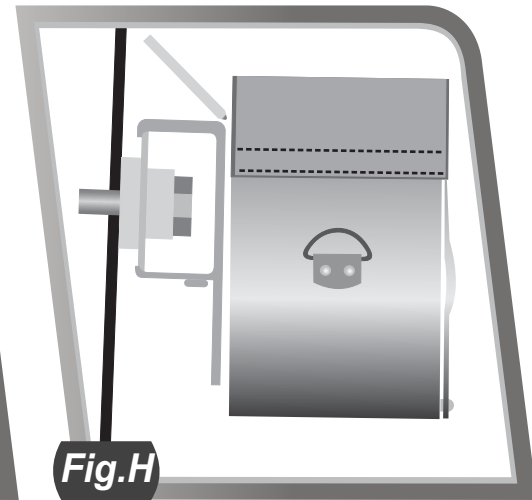


Fig.H

Step 7

Place the bag on a clean soft surface with back facing up. Unmount the bracket and place it on the back of the bag such the bracket aligns with the marked outline. Mark the position of the 4 holes in the brackets (2 through the sliders and 2 on the flat part). Remove bracket and Drill the 4 marked points.

Step 8

From inside the bag, pass the small mounting bolts (b & c) through the back of the bag and then through the bracket and tighten the bolts using the provided nuts.

Step 9

Now mount the bracket onto the docking posts installed on the fender. Once properly in place, lock the bracket and take away the key. Make sure that all the bolts are tight. We recommended that you use blue lock tight with all the bolts.

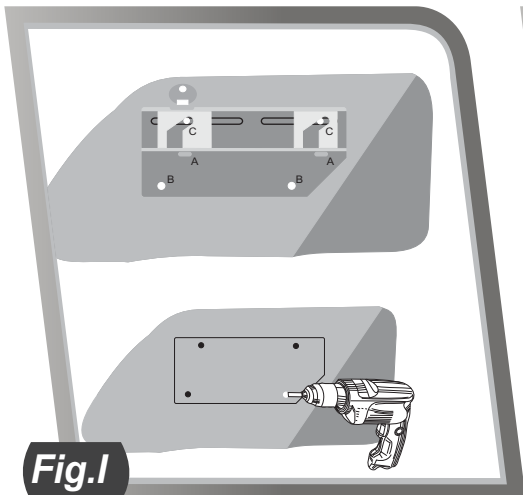


Fig.I

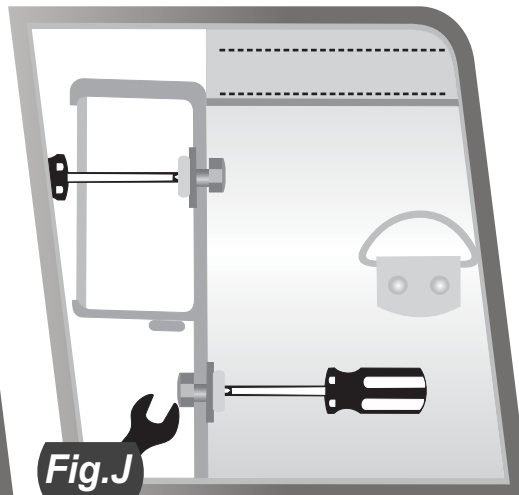


Fig.J

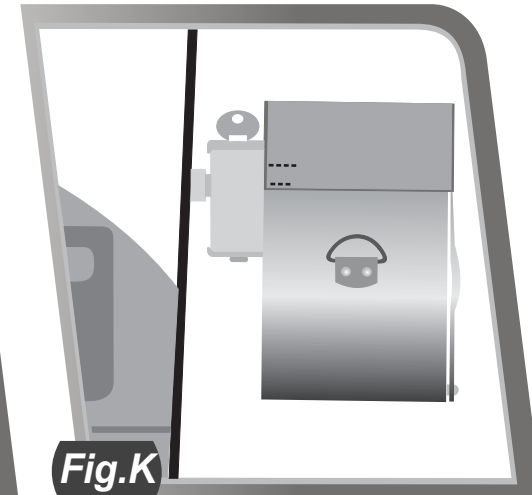


Fig.K

Warning: Before every ride it should be insured that docking posts bolts are fully tightened and bracket is properly locked.